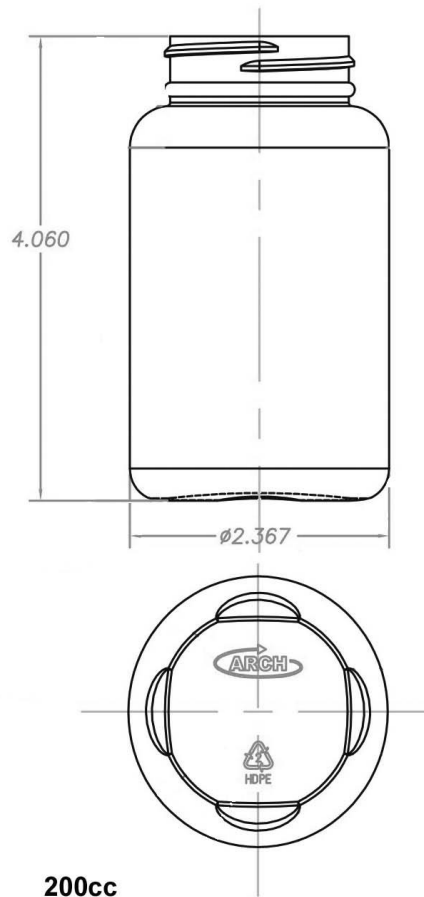


Date Created: 3/16/23

200cc HDPE Round

Bottle Data Sheet



ARCH # 002202-XXXX
MOLD # A11594, B11932 (Total 8 cavities)
RESIN & COLORANT: FDA APPROVED
OVERFLOW CAPACITY: 245ml
HEIGHT: 4.06 Inch
WEIGHT: 21.8 ± .5g
DIAMETER: 2.367 Inch
NECK FINISH: M45SP400 Special

BOTTLE PER BOX: 310 (TUMBLE PACK)
BOTTLE PER PALLET: 6,200
BOTTLE PER 53' TRUCK: 173,600
PALLET WEIGHT: 401 lbs
STOCK COLORS: White